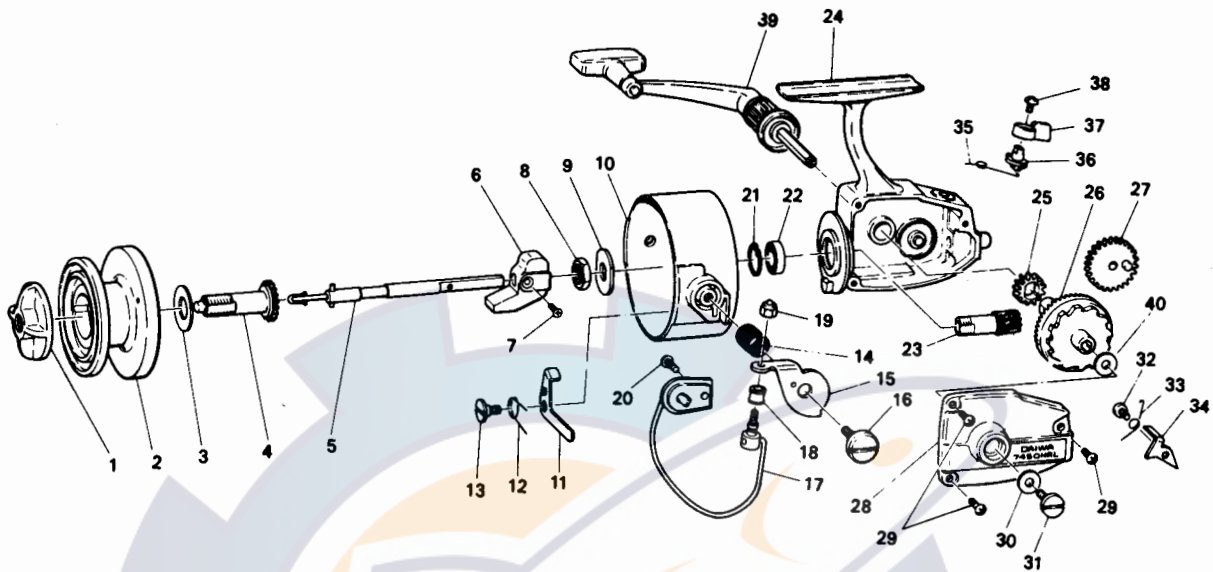




SPINNING REEL 7450HRL



LINE CAPACITY: 255 YDS., 10 LB. TEST (290m Dia. 0.30mm)

| Key No. | Parts No. | Parts Name | Key No. | Parts No. | Parts Name |
|---------|-----------|--------------------------|---------|-----------|-----------------------------|
| 1 | 60078414 | Drag knob | 21 | 63202911 | Ball bearing retaining ring |
| 2 | 60078632 | Spool assembly | 22 | 66316901 | Ball bearing |
| 3 | 63731502 | Spool washer | 23 | 64013901 | Pinion |
| 4 | 60078561 | Spool metal | 24 | 60076141 | Body |
| 5 | 60076451 | Main shaft | 25 | 64013701 | Oscillating pinion |
| 6 | 64806301 | Oscillating slider | 26 | 64120211 | Drive gear |
| 7 | 63521501 | Oscillating slider screw | 27 | 64014801 | Oscillating gear |
| 8 | 63405842 | Rotor nut | 28 | 60076501 | Body cover |
| 9 | 63729202 | Rotor retaining washer | 29 | 63521601 | Body cover screw |
| 10 | 62010211 | Rotor | 30 | 63724601 | Handle washer |
| 11 | 65706411 | Bail kick lever | 31 | 63515531 | Handle screw |
| 12 | 61425321 | Bail kick lever spring | 32 | 63501931 | Anti-reverse claw screw |
| 13 | 63612901 | Bail kick lever screw | 33 | 61425411 | Anti-reverse claw spring |
| 14 | 61409221 | Bail spring | 34 | 61107401 | Anti-reverse claw |
| 15 | 62308301 | Arm lever | 35 | 61422801 | Anti-reverse cam spring |
| 16 | 63616611 | Arm lever screw | 36 | 64606821 | Anti-reverse cam |
| 17 | 60076201 | Bail | 37 | 65403711 | Anti-reverse lever |
| 18 | 62501901 | Line roller | 38 | 63501931 | Anti-reverse lever screw |
| 19 | 63409101 | Bail nut | 39 | 60076653 | Handle |
| 20 | 63516401 | Bail holder screw | 40 | 63705150 | Drive gear washer |